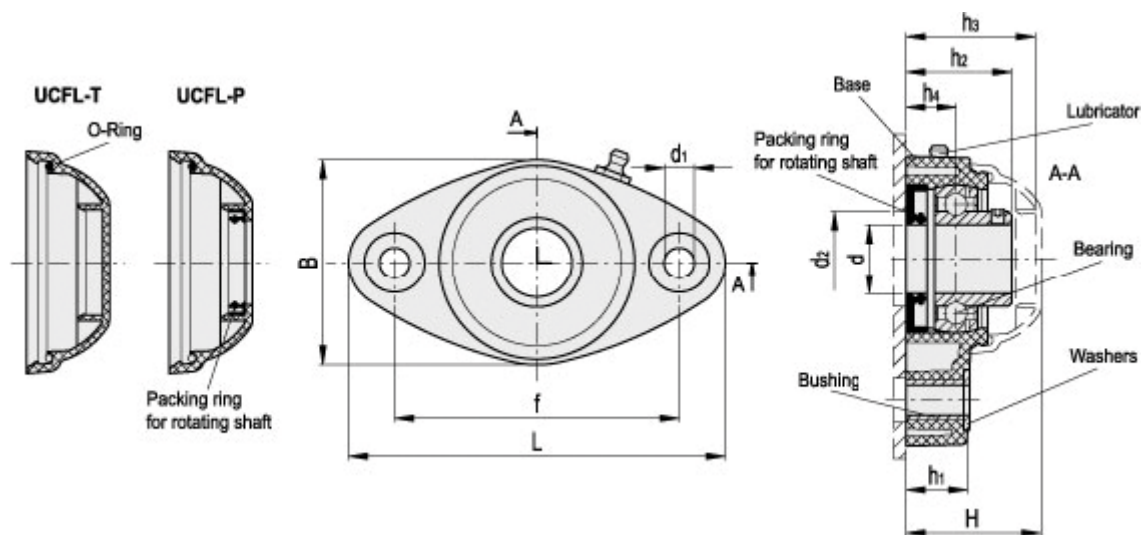


Article number: 2310419542

Description: E+G flanged self-aligning brackets UCFL.206-B-30-P

Measures



B	= 86	f	= 117
Bearing dynamic load in N	= 19000	H	= 56
Bearing static load in N	= 11000	h1	= 26
Bracket load in N	= 13000	h2	= 41
d	= 30	h3	=
d1	= 10.5	h4	= 20
d2max	= 60	L	= 149
d2min	= 50		